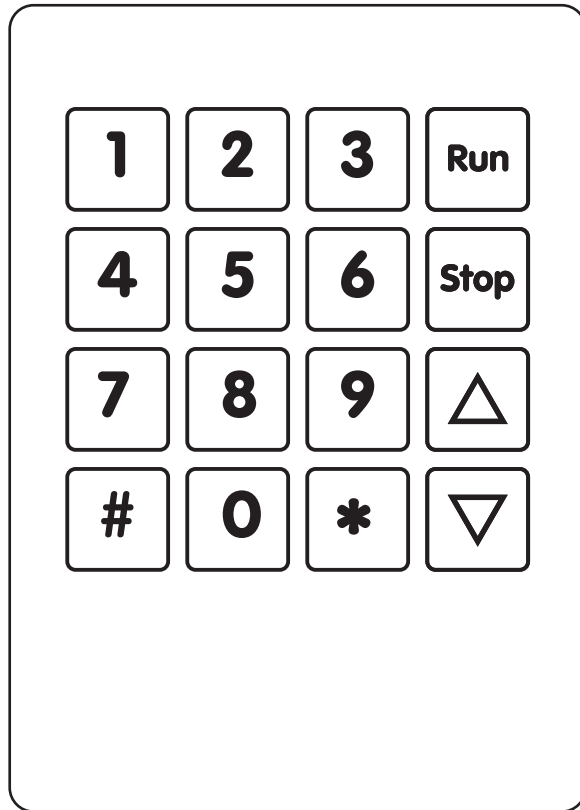
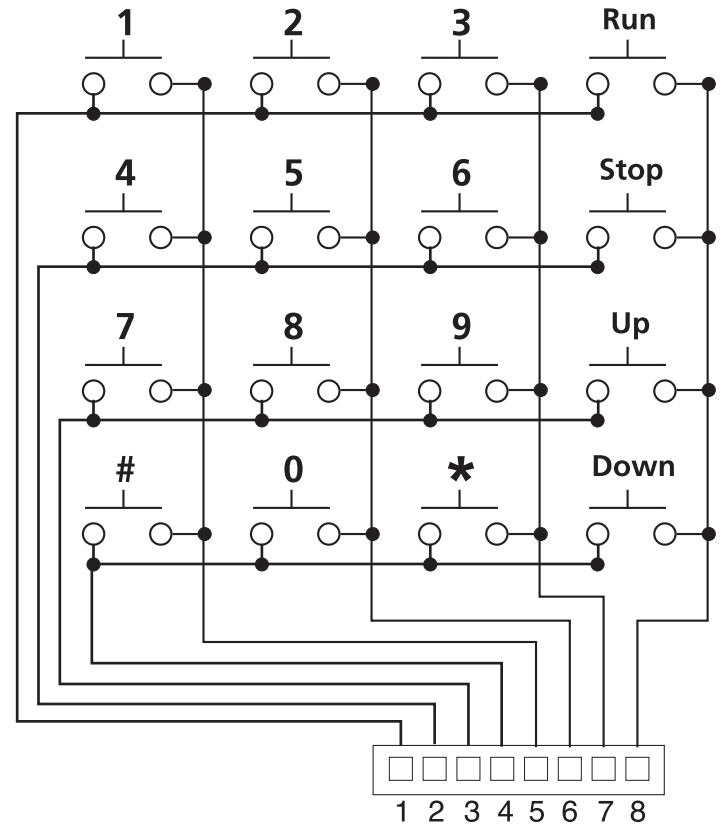
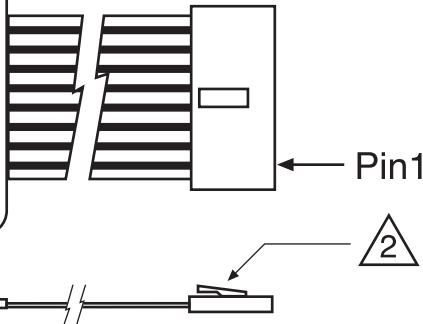


Notes:

1. Make sure to indicate pin 1 position
2. Indicate Connector Latch or Polarity orientation (if present.)



Connector
AMP p/n 487526-7



9353 Activity Road Suite J
San Diego, CA 92126
Phone 858 695-9500
email: info@gopgs.com
web: www.gopgs.com

16 Button
MATRIX ARRAY
Membrane Switch

Pin Out Schematic
Sample Drawing
6-Dec-2006