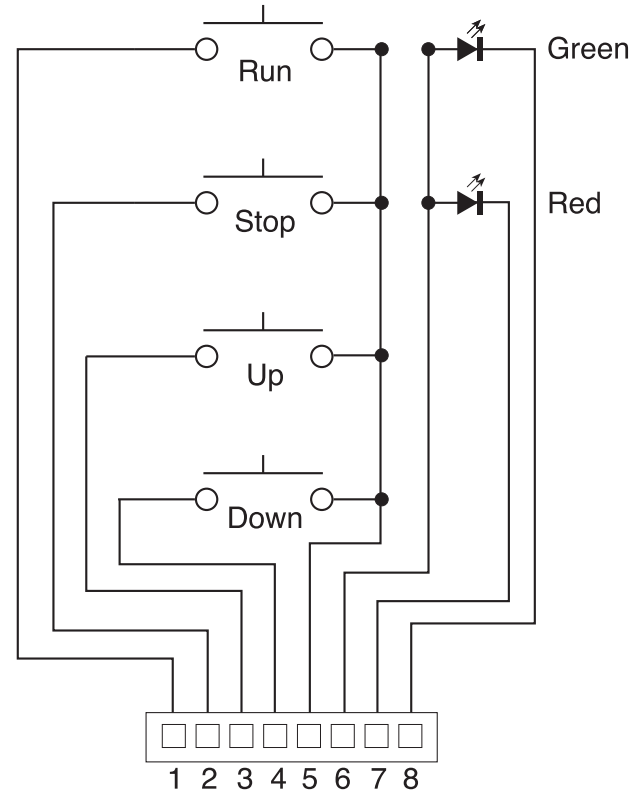
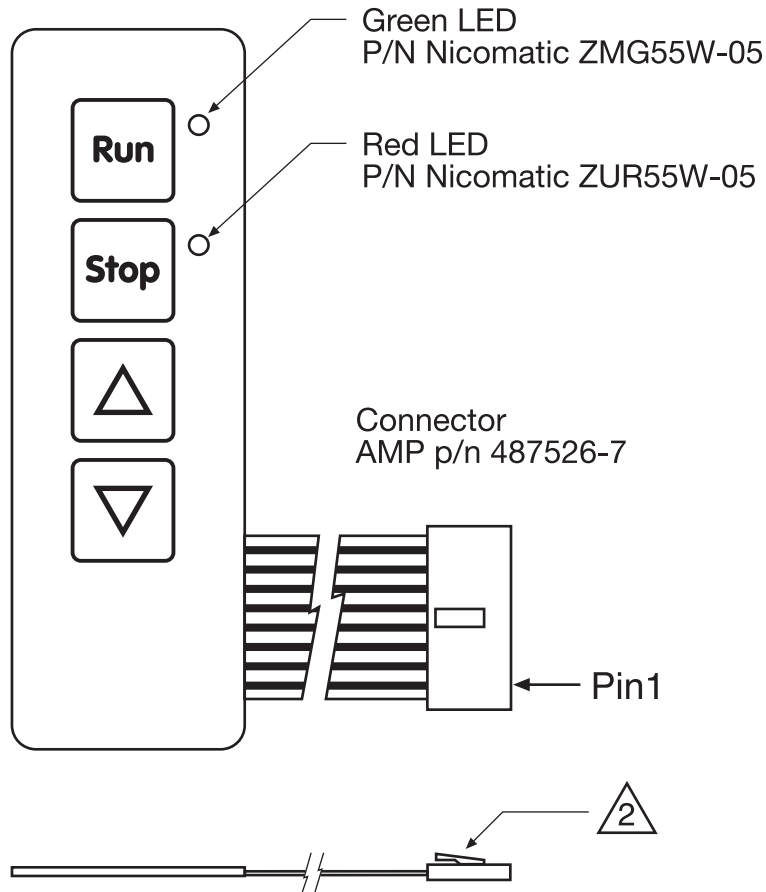


Notes:

1. Make sure to indicate pin 1 position

2. Indicate Connector Latch or Polarity orientation (if present.)



9353 Activity Road Suite J  
San Diego, CA 92126  
Phone 858 695-9500  
email: [info@gopgs.com](mailto:info@gopgs.com)  
web: [www.gopgs.com](http://www.gopgs.com)

4 Button single common  
2 LED Common Anode  
Membrane Switch

Pin Out Schematic  
Sample Drawing  
6-DEC-2006